



July 30, 1973

FRONT-MOUNTED MOWER VIBRATION

Reports have been received that on some front-mounted mowers, the motors may generate resonant frequencies which can cause objectionable vibration from the center motor. The mounting area of the center motor can be easily reinforced by the installation of a flange plate (Part No. 247A7665P1) on the underside of the mower deck which will reduce the vibration to a minimum.

These flange plates are available at no charge direct from Order Service, Outdoor Power Equipment Operation in reasonable quantities and should be installed on front-mounted mowers where vibration is objectionable. New mowers to be placed in service having model numbers 26AA42JA, LA, or MA should have the flange plates installed also.

Flange Plate Installation

The flange plate is installed on the underside of the mower deck on the center motor only.

1. Remove the power cord from the PTO receptacle.
2. Remove the cutting blade from the center motor.
3. Remove the four mounting bolts securing the motor to the deck.
4. Position the flange plate over the lower end of the motor and re-mount the motor to the deck so the flange plate is secured by the motor mounting hardware. See Fig. 1.
5. Re-mount the cutting blade.

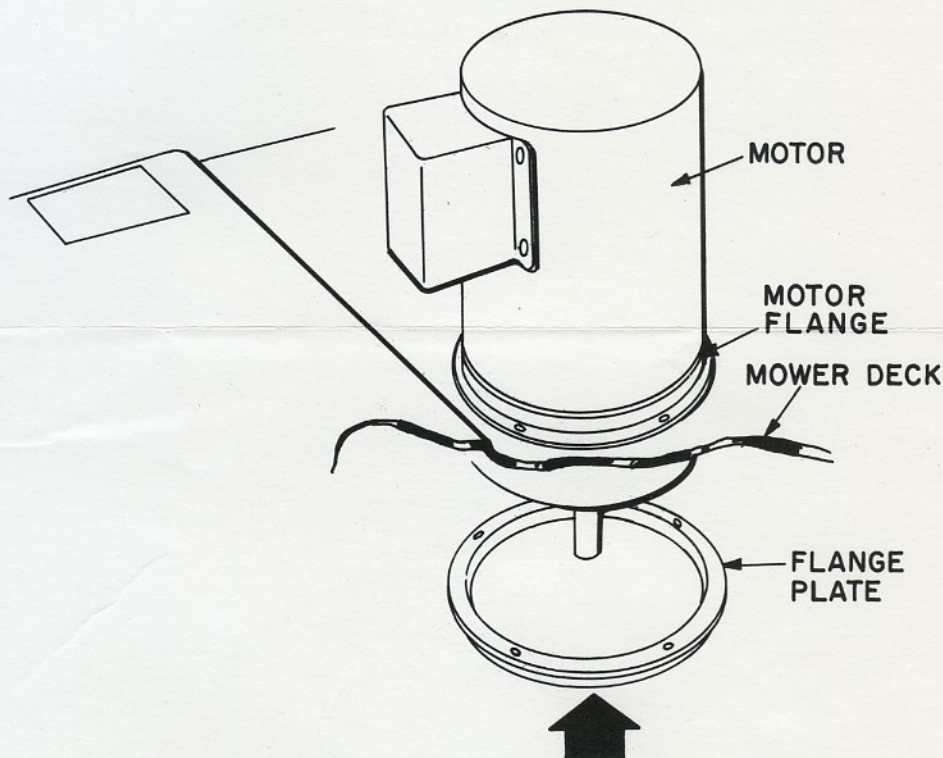


Fig. 1

7-73 (3500)