



## INSTRUCTIONS

### SPEED REDUCTION KIT

#### Model KD38

The KD38 speed reduction kit is designed for owners of E8M, E8HM or E10M tractors who desire slower speeds. This is most likely to occur for those who use a snow thrower with the E10M in heavy snow areas. The reduction in speed is approximately 30 percent of the standard models, which permits a minimum speed of about 1 mph.

1. Jack the rear of the tractor and remove the left rear wheel and belt guard.
2. Lock the idler pulley out by applying the parking brake.
3. Remove the belt cover and belt retainer around the motor pulley, then remove the belt.
4. Remove the motor and transaxle pulleys and retain the keys for reuse. If necessary, use heat to remove pulleys.
5. Remove both whip pins, if present, by either twisting or sawing them off, and discard them.
6. With the new belt over the large pulley furnished in the kit, install the pulley and key on the transaxle so the pulley hub is towards the transaxle.
7. Install the small pulley furnished on the motor shaft with the key in place. Be sure all grease and paint are removed from the "V" of the small pulley.
8. Align the motor and transaxle pulleys so that the belt runs straight and true.
9. Reinstall the belt retainer and belt cover.
10. Release the parking brake and adjust the clutch for proper belt tension. Readjust brake (on right side of transaxle).
11. Reinstall the rear wheel. **DO NOT REINSTALL THE BELT GUARD.**
12. Be sure all grease is removed from pulleys.

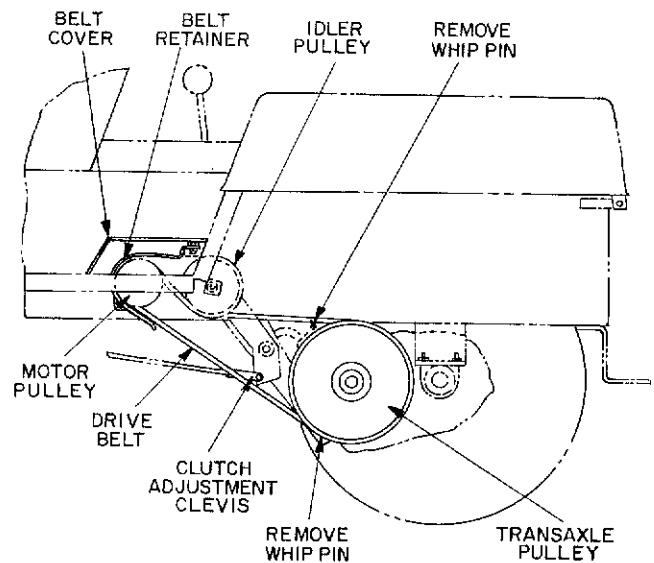


Figure 1