

INSTALLATION INSTRUCTIONS FOR

DOUBLE SEAT. PART NO. 120637.

The instructions for assembling the seat are as follows:

Bolt the side arms onto the seat bottom with four of the 5/16-18 x 1 1/2" cap screws provided. Bolt the back into the side arms at the two bolt positions. (See Fig. 1).

There are four levelers packed with the seat assembly. The levelers are bolts with rubber bases and nuts on them. The levelers should be installed in the four outside bolt holes on the bottom

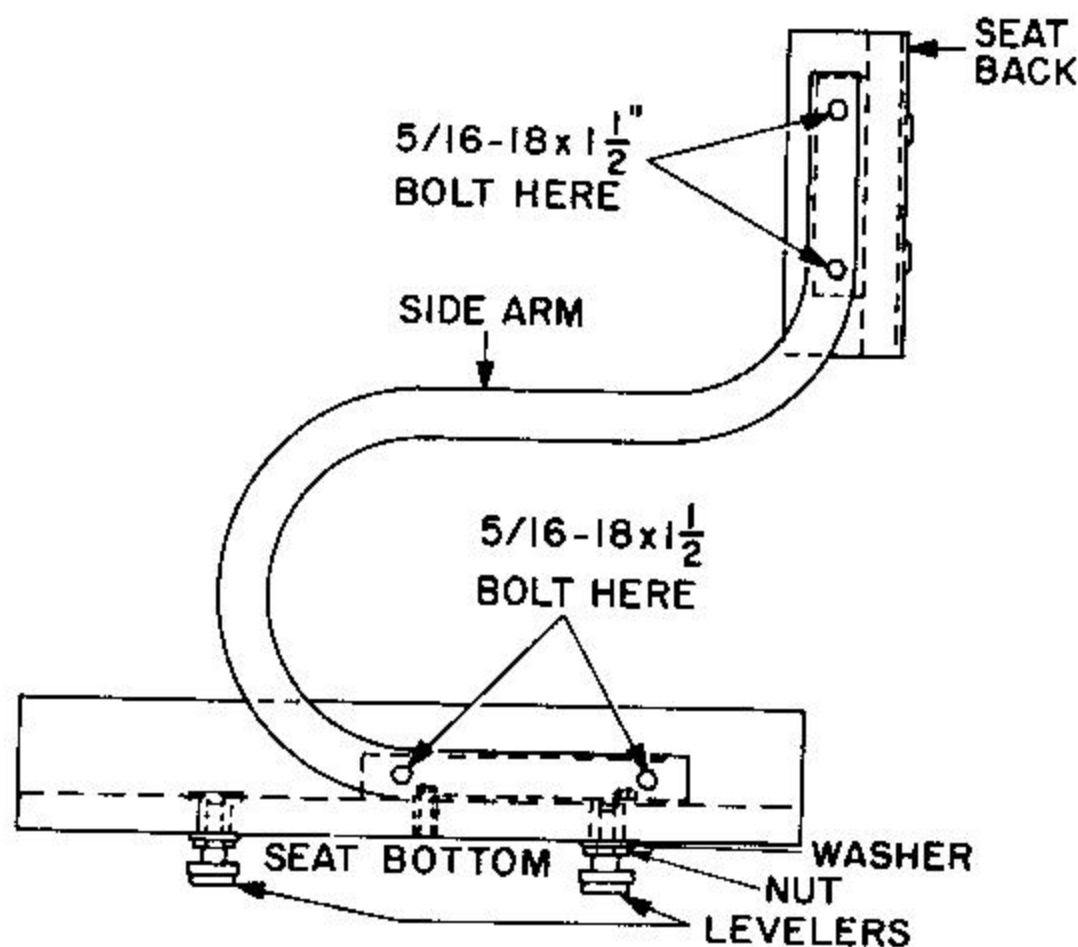


Figure 1

of the seat. (See Fig. 2). Place a washer on the tightening nut of each leveler. Place each leveler in a hole, screw it in, and leave the nut loose.

Remove the present seat from the rear battery cover. This may be done by taking off the two bolts holding the cushion on first, and then the four bolts that hold the seat in place. On the underside of the rear battery box cover there are four T-nuts which the four bolts just removed locked into. These must also be removed so that they will not interfere with the bolting on of the double seat.

Raise the rear battery box cover and place the four bolts in the hardware assembly, with a washer over the head of each, through the battery box lid into the bottom of the four center holes of the double seat. Securely tighten these four bolts. Flip the seat down in a normal sitting position. With someone sitting on the seat center, adjust the four leveling feet so they are just barely holding up the seat and tighten the nuts securely. The levelers may be adjusted with the seat empty, but more judgement must be used as to how far down the seat will depress when sitting on it.

WARNING: The seat switch normally shuts off the tractor when the driver leaves the seat. With the double seat accessory, this will not happen unless both occupants leave the seat.

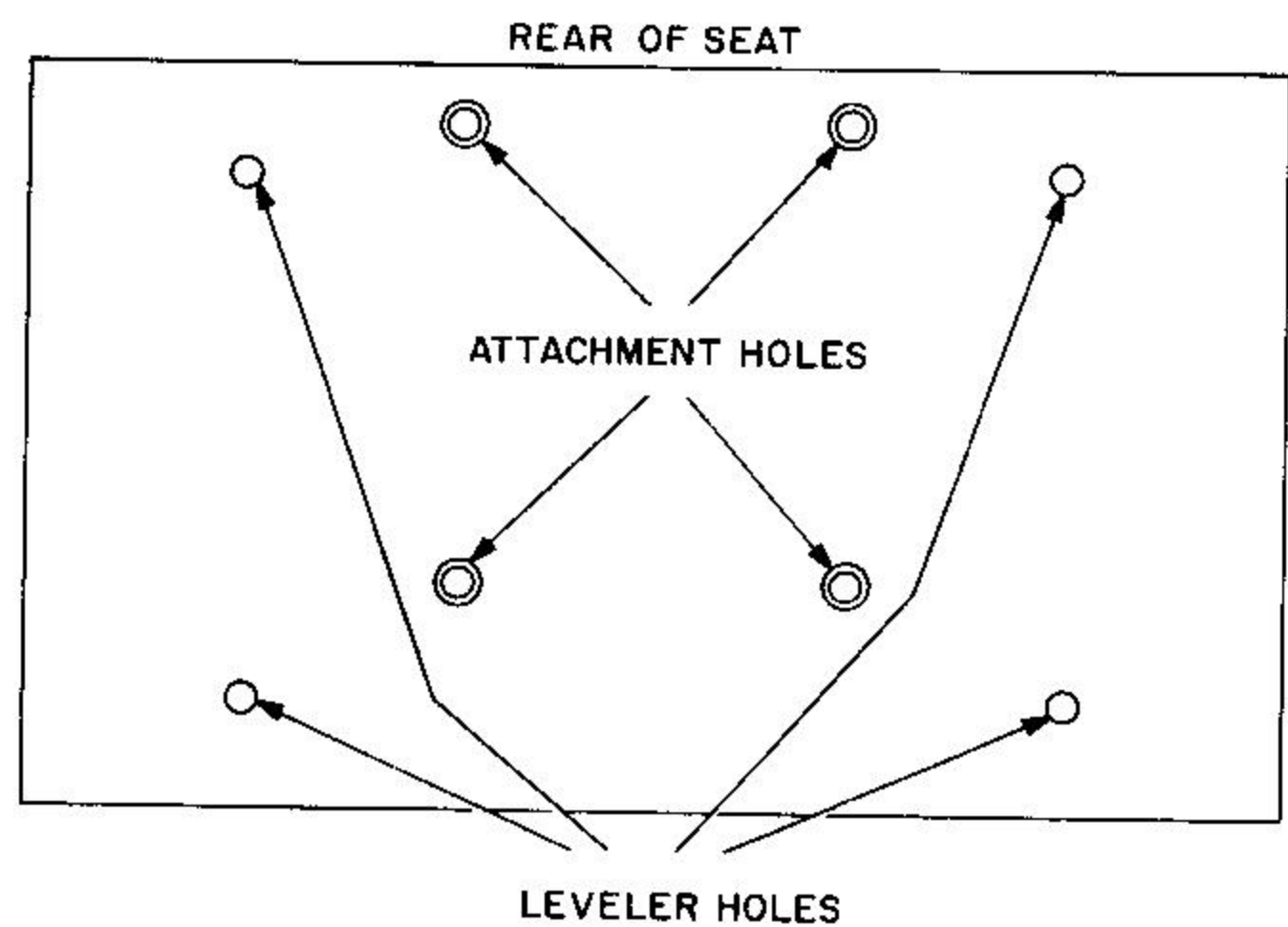


Figure 2