

INSTALLATION INSTRUCTIONS FOR ACCESSORY
OUTLET ON THE EGT 80 TRACTOR. PART NO. 120625.

WARNING: Remove battery clamp terminating wire 2-01 from the positive post of battery B2 before proceeding with this installation.

1. Allow the upper control panel to tip forward so its mounted components are exposed. See Figure 1.

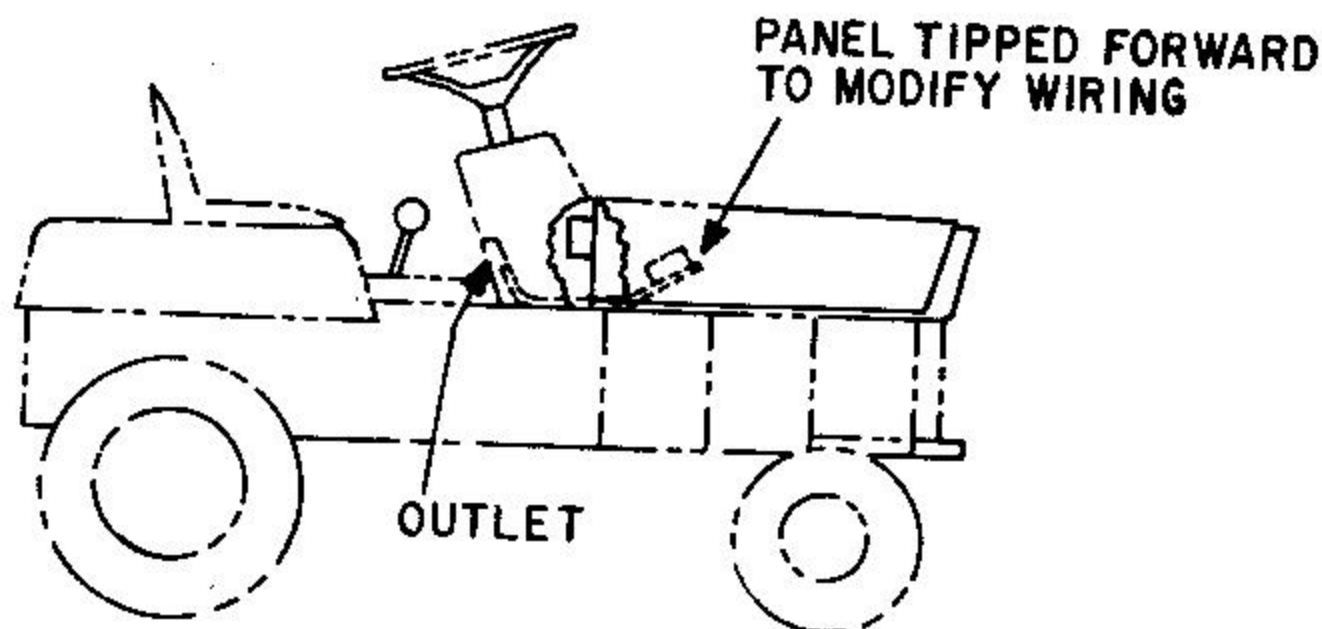


Figure 1

2. Place the cardboard template so its sides are against the left and center boltheads which secure the control cabinet to the frame. See Figure 2.

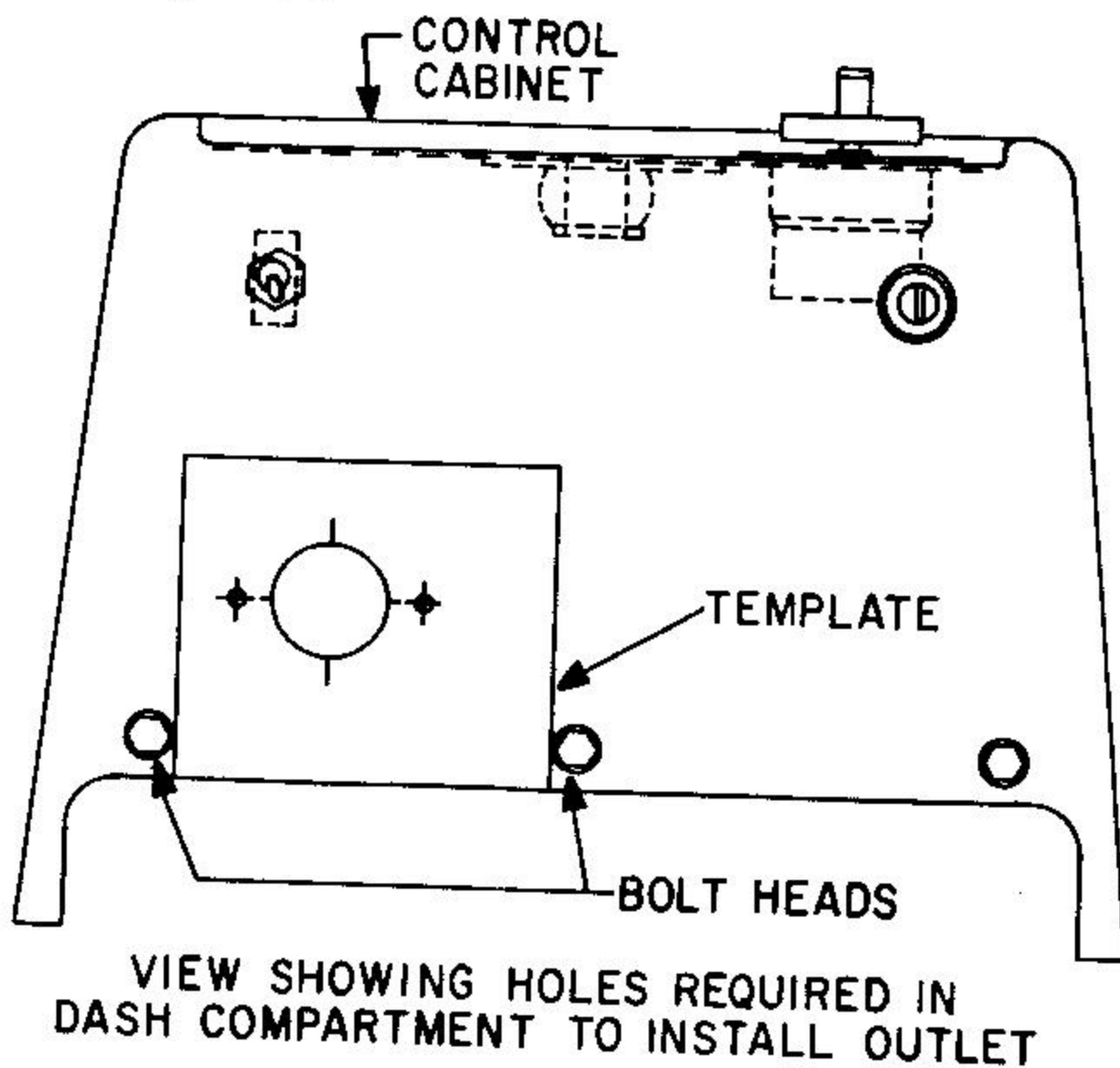


Figure 2

3. Using a pencil or scribe, draw the outline of the 1-7/16 inch diameter hole on the control cabinet using the template as a guide. If necessary, determine the center of this hole by laying a straight edge across opposite pairs of registration marks on the circumference of the template hole, then drawing a line where it crosses the hole's center.
4. Center punch the cross lines of the small 0.166-inch diameter mounting holes for accurate drilling. Make sure the template has not shifted since outlining the larger hole.
5. When the template is removed, the outline of the large hole and the centers of the mounting holes should be clearly marked.

CAUTION: Move wires inside control away from area to be drilled.

6. Drill the two mounting holes using a #19 (11/64-inch) drill bit.

Cut the 1-7/16 inch diameter outlet hole into the control cabinet using the outline as a guide.

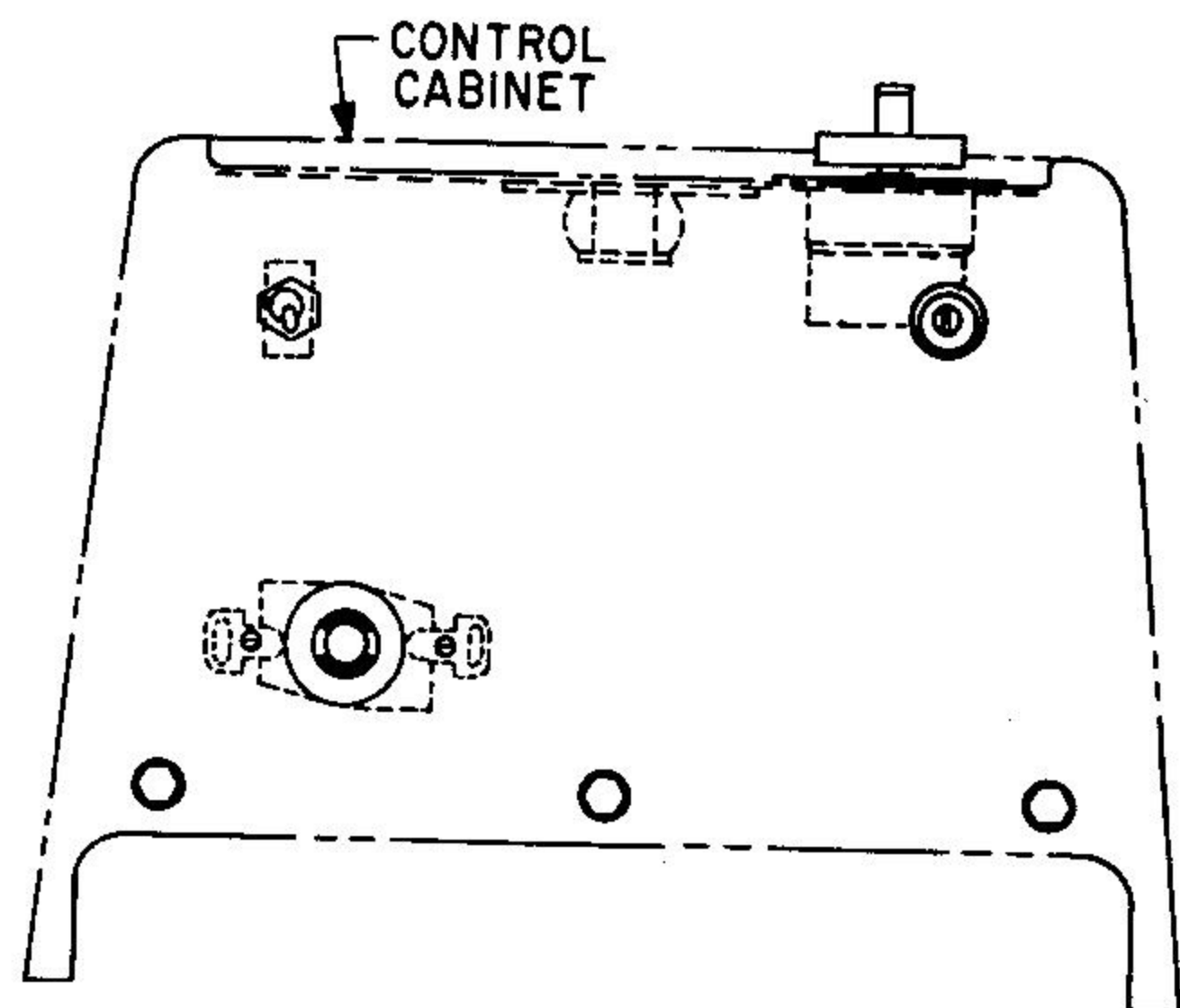
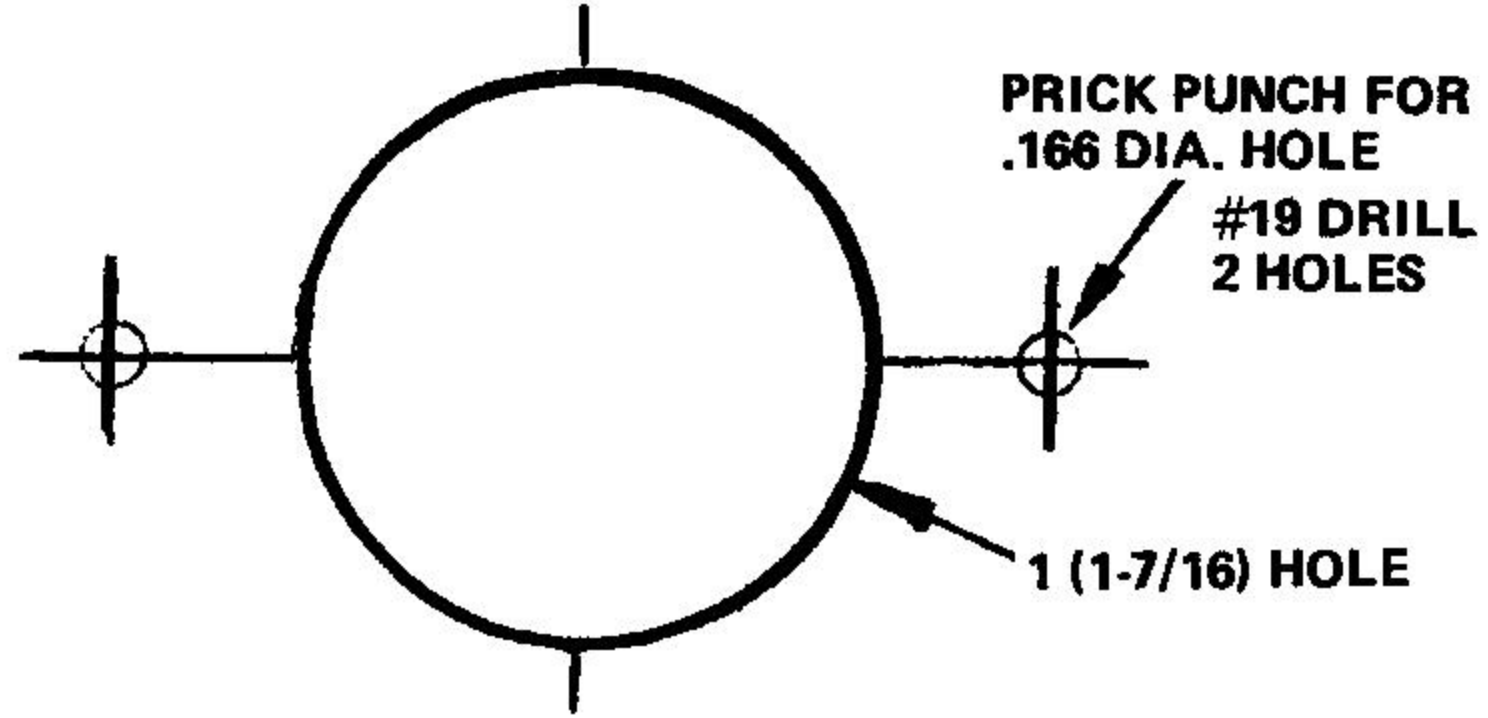


Figure 3

ACCESSORY OUTLET TEMPLATE



**LOCATE BETWEEN THE
CENTER MOUNTING BOLT AND**

LEFT MOUNTING BOLT

**LINE UP WITH BOTTOM EDGE
OF CONTROL CABINET**

7. Install the accessory outlet from the inside of the control cabinet and secure with #6 hex-head machine screws and lock washers in each of the mounting holes. See Figure 3. The lock washers should be located under the screw heads on the outside of the control cabinet.

8. Attach wire #30-02 from outlet to CB-2 (50-amp) terminal on the same side as the other wire #30.

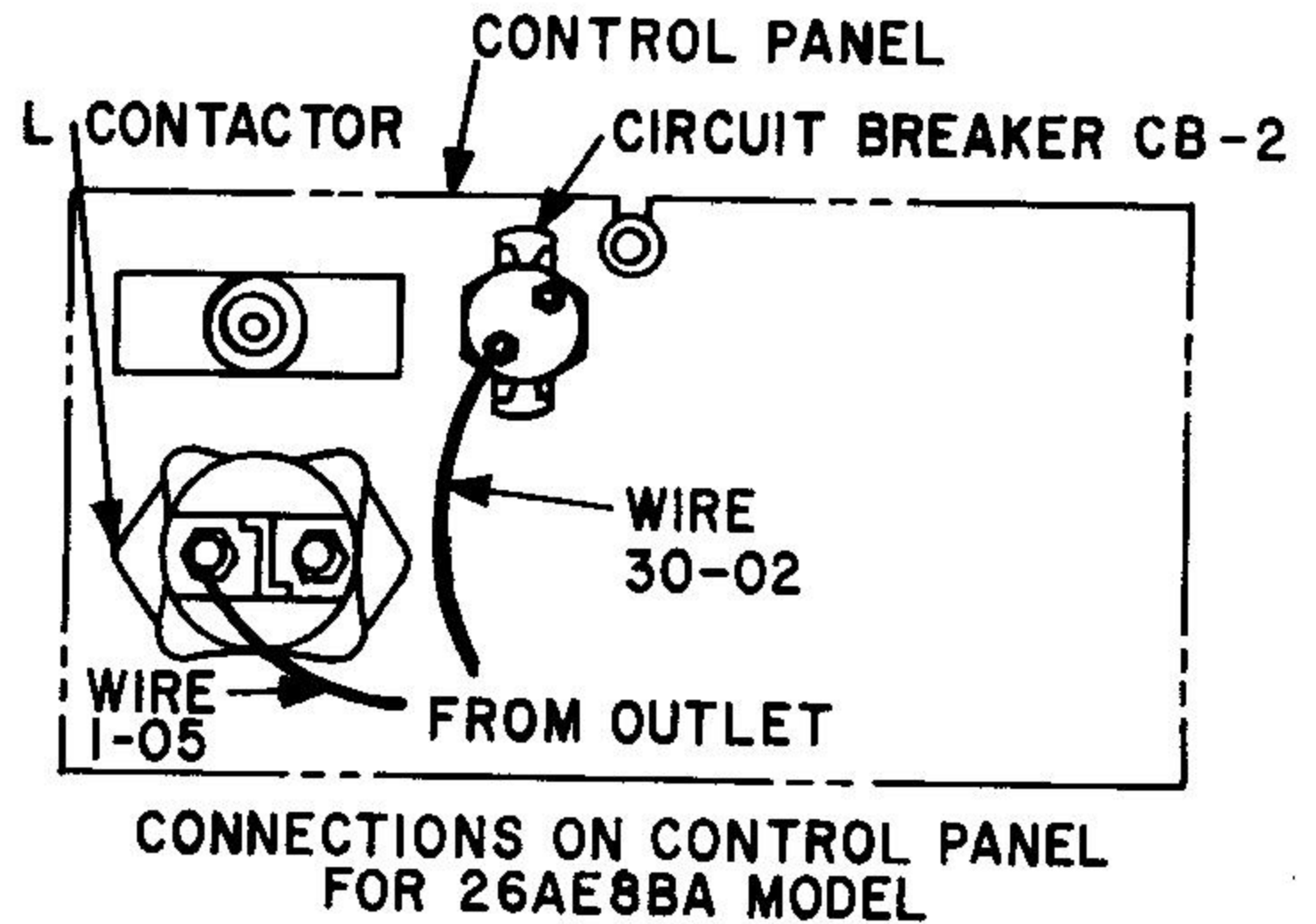


Figure 5

9. Attach wire #1-05 from outlet to terminal on L contactor on the same side as the other wire #1.
10. Recheck all wiring and connections for correctness and tightness before operation.
11. Reinstall upper control panel using care to reposition wires as the panel is closed.