

# PARTS LIST AND INSTRUCTIONS

## DUMP TRAILER

**FACTORY ORDER NUMBER 7-2212**

**(Formerly 7-2211)**



### ASSEMBLY

The dump trailer is shipped complete in one carton. To assemble, place axle housing, ( $\frac{3}{4}$ " pipe which is part of frame assembly (item no. 2), between hangers on box assembly (1), and insert axle (8), through hangers and  $\frac{3}{4}$ " pipe, allowing the same amount of axle to extend out on each side.

On each end of the axle install the following parts in the order listed; one washer (9), one wheel and tire (7), (Be sure air valve and grease fitting of wheel are to the outside), another washer (9), a cotter pin (10), and hub cap. Spread the cotter pin so it will not come out.

Install rod of latch assembly (3), **up through slot in tongue of frame assembly (2)**, and secure in place by inserting bolt (11), down through holes in the tongue and latch. The bolt, as well as the latch itself, is held in place by the spring (5) and locknut (12). The spring and nut are installed on the bolt from the underside of the frame. Now screw knob (4), on the rod of the latch assembly (3), to complete the assembly of your dump trailer.

### OPERATION

The trailer can be dumped from the tractor seat by gripping the knob of the latch rod and pulling forward. This will release the box and it can then tip backwards until the back lip touches the ground. The tractor can be backed up, and the lip (rear edge of the box), will dig into the ground as the tractor is backed. The trailer box will pivot on the axle and completely empty itself. With the trailer empty it can easily be brought back to a latched position by hand. The box can be bolted to the tongue, so that the trailer will not dump when the latch handle is pulled forward. There is a hole in the latch bracket, on the box, and a corresponding hole in the tongue for this purpose. (You must provide this bolt and nut, since they are not included with the trailer.)

The trailer is rated at 600 lbs. load carrying capacity and  $5\frac{1}{2}$  cubic foot level capacity.

### LUBRICATION

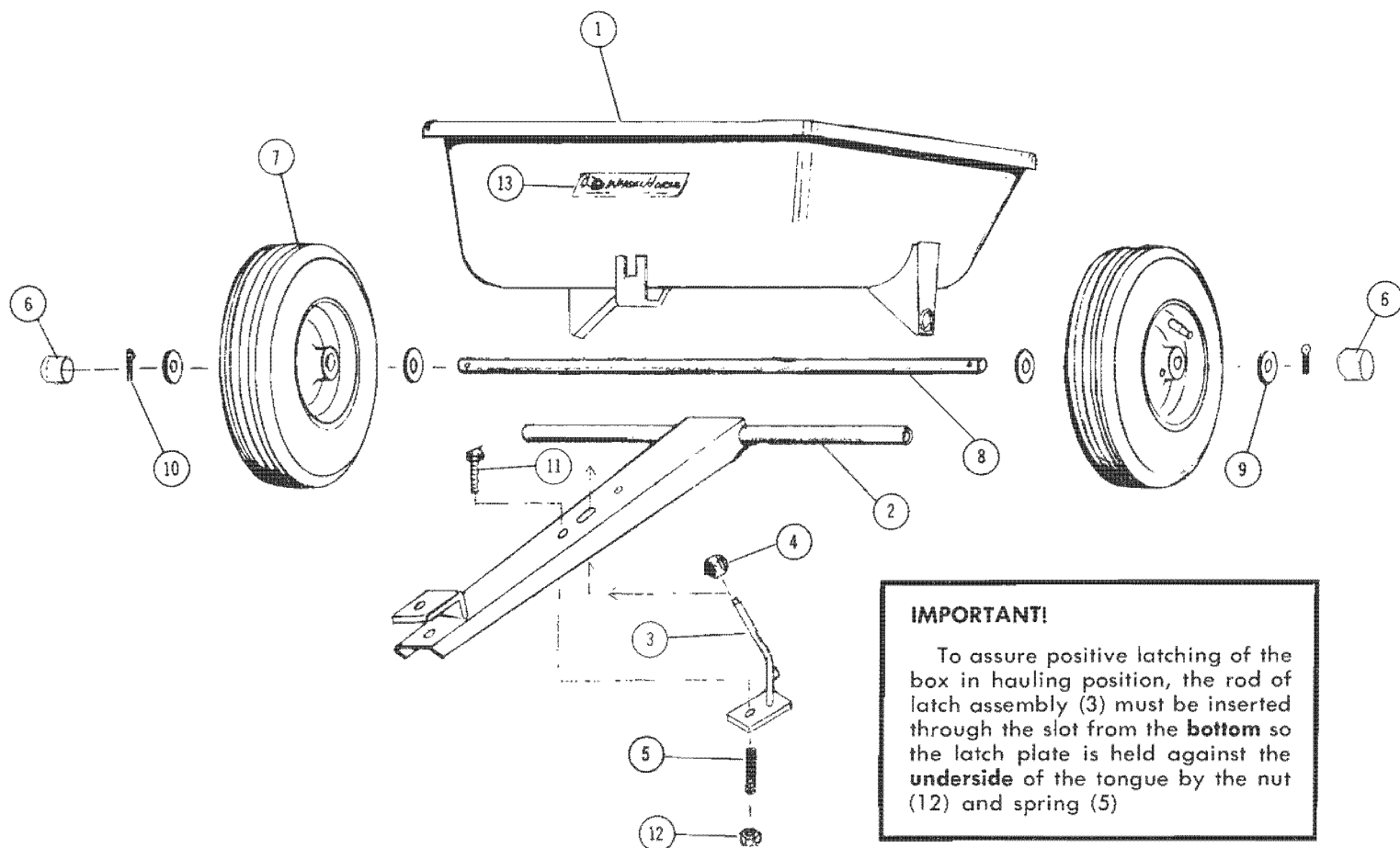
The high pressure grease fittings on each wheel should be lubricated before use and periodically thereafter.



# WHEEL HORSE

## lawn & garden tractors

PARTS DRAWING



**IMPORTANT!**

To assure positive latching of the box in hauling position, the rod of latch assembly (3) must be inserted through the slot from the **bottom** so the latch plate is held against the **underside** of the tongue by the nut (12) and spring (5)

**PARTS LIST — DUMP TRAILER**  
**FACTORY ORDER NUMBER 7-2212**

Parts available only through Authorized Dealers.  
 When ordering parts always list Part No. and Description.  
*(Specifications subject to change without notice.)*

ITEM NO.	PART NO.	DESCRIPTION	NO. REQ'D.
1	4366	Box Ass'y.	1
	908015	Bolt, Hex $\frac{5}{16}$ -18 x $\frac{5}{8}$	1
	915112	Nut, $\frac{5}{16}$ -18 E.S.	1
2	4371	Frame Ass'y.	1
3	4374	Latch Ass'y.	1
4	1001	Knob	1
5	2625	Spring	1
6	7747	Hub Cap	2
7	1758	Wheel & Tire	2
	1759	Wheel Only	2
	1760	Tire Only	2
	1761	Tube Only	2
8	4378	Axle	1
9	1278	Washer $\frac{3}{4}$ I.D. x $1\frac{1}{4}$ O.D. x .050 Th.	4
10	932034	Cotter Pin $\frac{3}{16}$ " Dia. x 1" LG.	2
11	908025	Bolt Hex HD. $\frac{5}{16}$ -18 x $2\frac{1}{2}$ " LG.	1
12	915112	Nut Hex HD. $\frac{5}{16}$ -18 Nyllok	1
13	103174	Decal	1
	3039*	Hitch Plate	1

\* Not Shown or Included. Used with 8-5521 Slot Hitch only.

**WHEEL HORSE PRODUCTS, INC. 515 West Ireland Road South Bend, Indiana 46614**